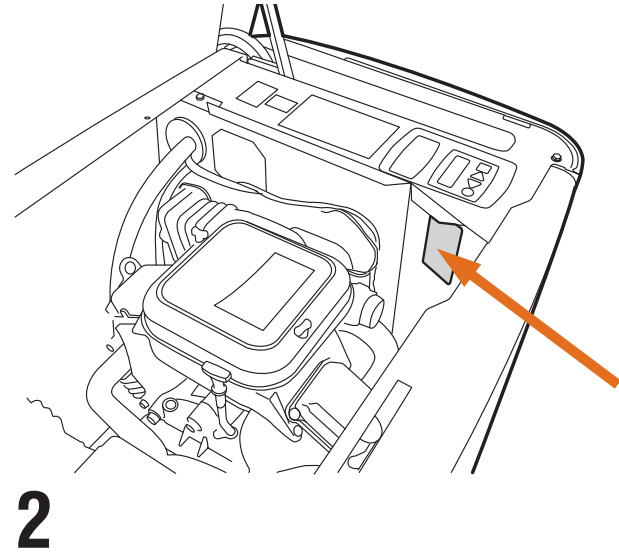
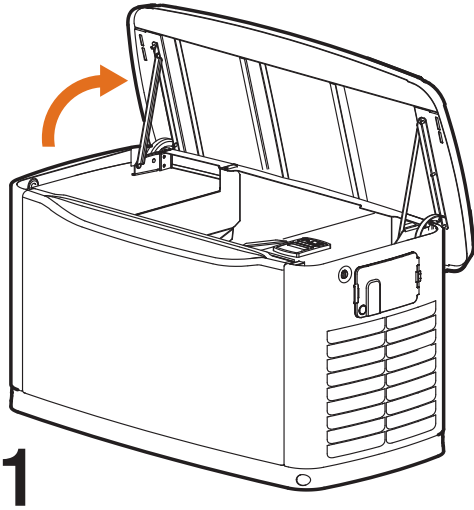


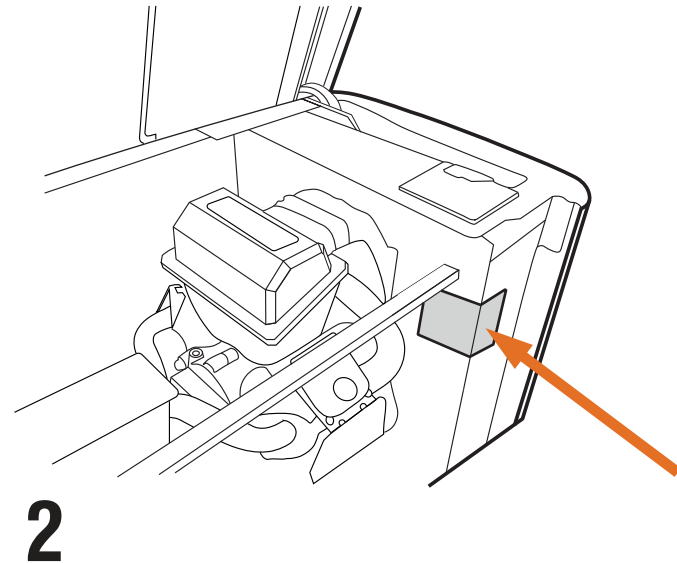
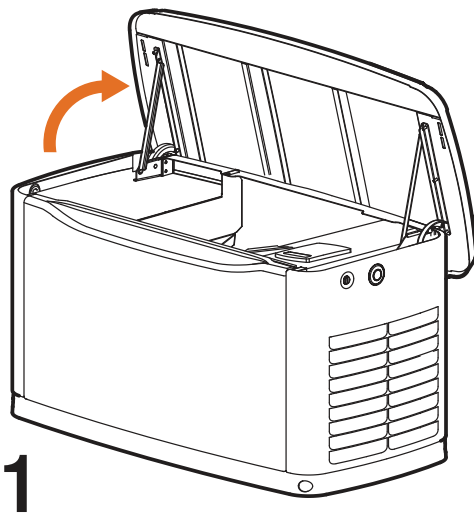
Locate Your Serial Number

RESIDENTIAL (AIR-COOLED)

8kW-20kW (2015 models and earlier)

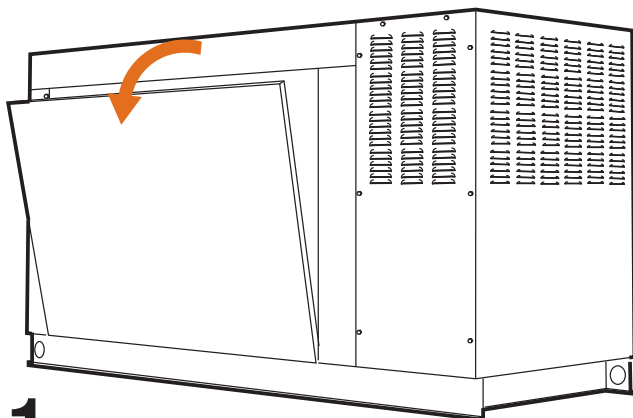


9kW-22kW (2016 models to present)



COMMERCIAL (LIQUID-COOLED)

22kW - 60kW



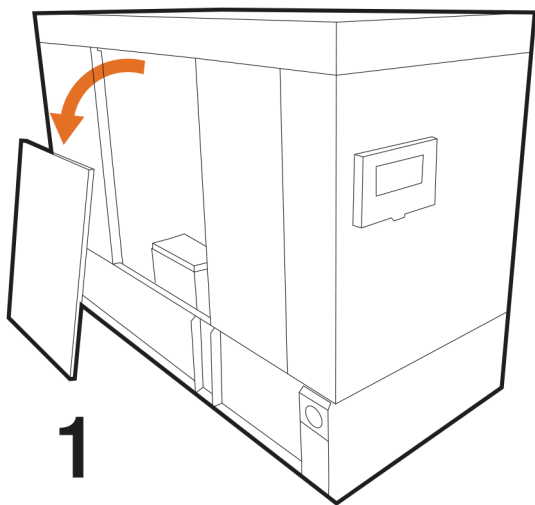
1



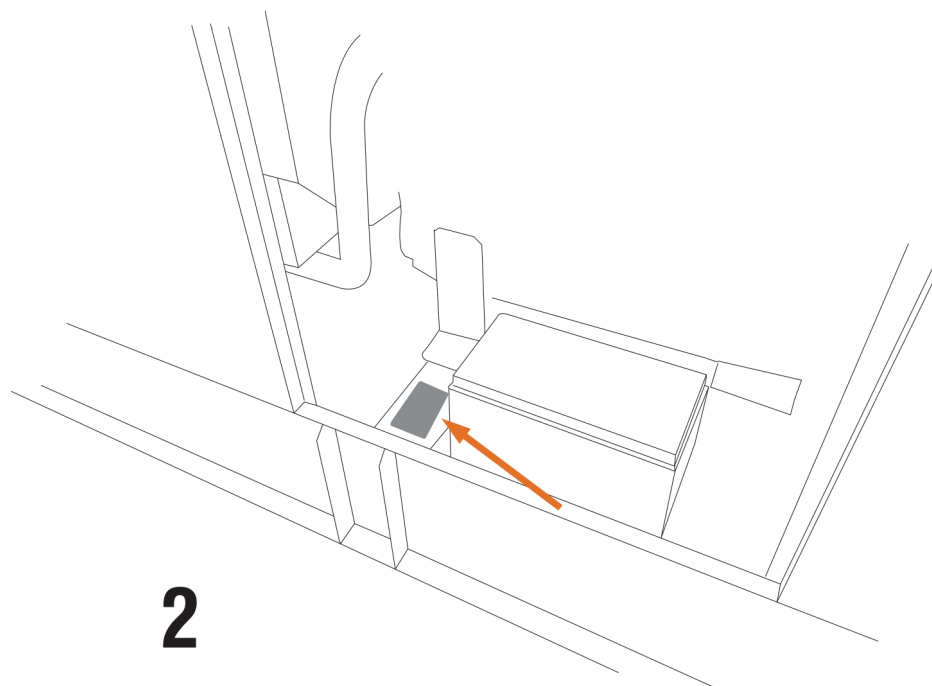
2

PROTECTOR SERIES

15kW - 50kW



1



2